

Comfort 860, 861

Opener systems for sliding gates

1
Swing gate openers



2
Sliding gate openers

Comfort 860, 861

Article	Article no.	Price each
Post opener Comfort 860		
1,278 mm	115 419	
1,528 mm	116 952	
Special length, max. 2,073 mm	116 953	
Post opener Comfort 861		
1,278 mm	116 954	
1,528 mm	116 955	
Special length, max. 2,073 mm	116 956	

3
Radio accessories

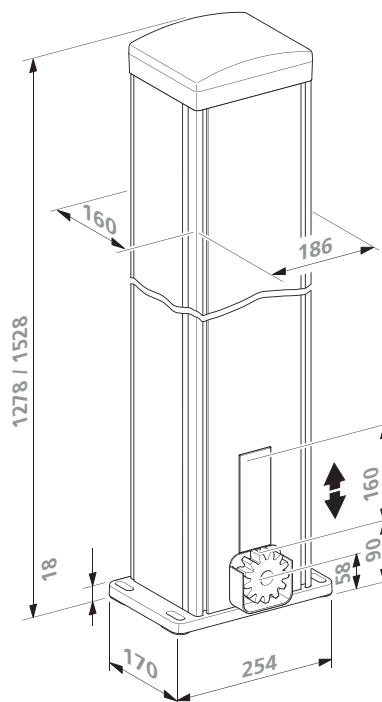
Package

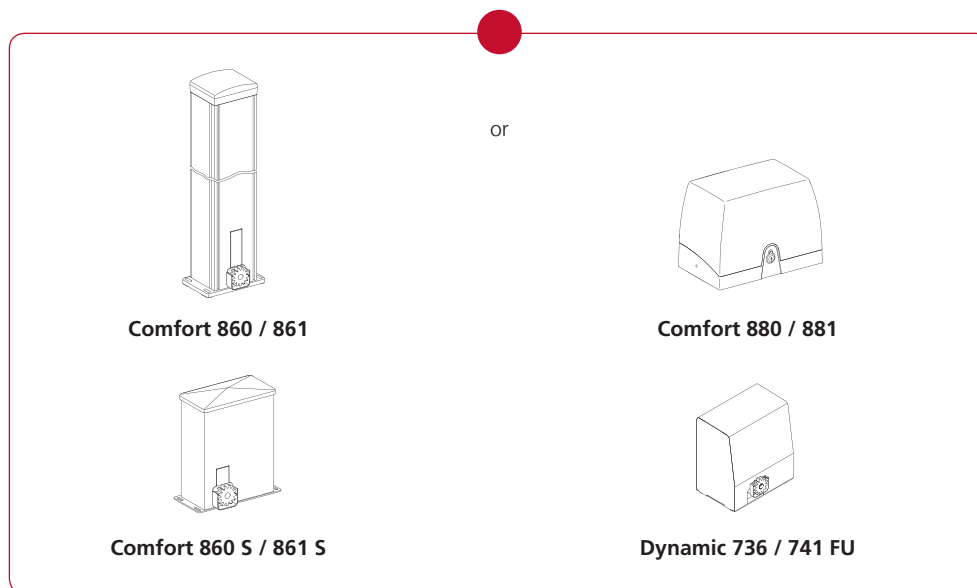
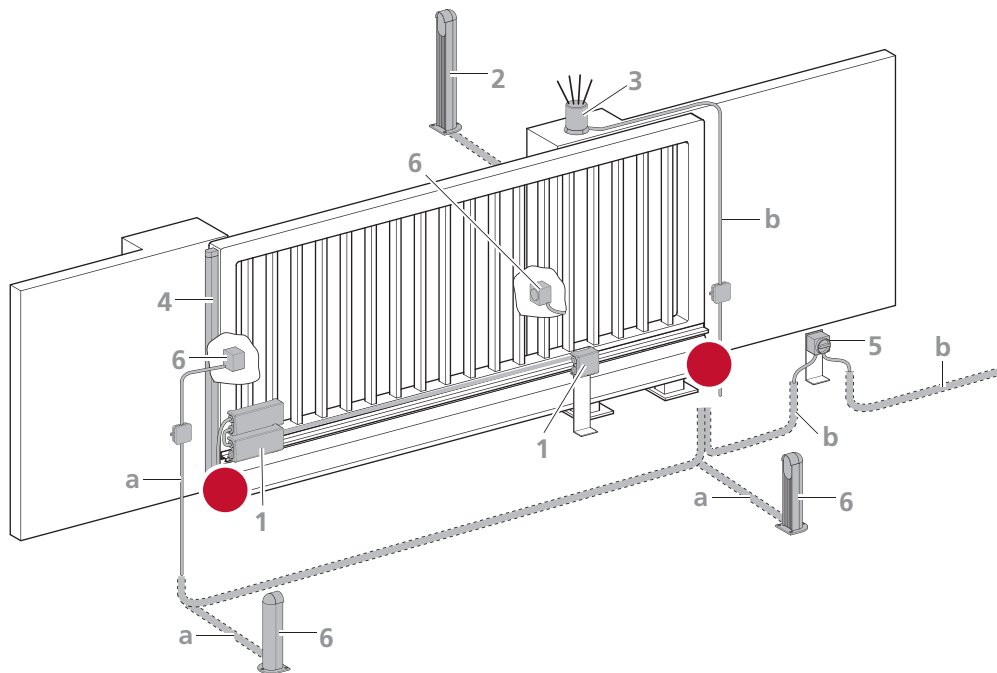
- Motor unit with integrated control unit Control x.82
- Digital 941 module receiver with magnet stand aerial, 868 MHz bi-linked
- Digital 663 mini hand transmitter 3-channel, 868 MHz bi-linked
- Mounting plate and spur gear module 4 pre-assembled
- Mounting material

4
General accessories

Dimensioned drawing

Comfort 860, 861





Available accessories

- 1 Signal transmission system, e.g. Special 750
- 2 Post with command unit, e.g. Command 312
- 3 Signal light 230 V AC or 24 V DC
- 4 Closing edge safety device passive or active, e.g. Protect-Contact 700
- 5 Main switch, all-pole breaking
- 6 Photocell, e.g. Special 633

Cabling

- a 2 x 0.5 mm²
 b Comfort 860, 861, 880, 881 – 3 x 1.5 mm²
 Dynamic 741FU – 3 x 1.5 mm²
 Dynamic 736 – 3 x 2.5 mm²

1

Swing gate openers

2

Sliding gate openers

3

Radio accessories

4

General accessories

Information

Opener systems for sliding gates

1
Swing gate openers

2
Sliding gate openers

3
Radio accessories

4
General accessories

Comfort 860 / 860 S

Comfort 861 / 861 S

Comfort 880

Comfort 881

Dynamic 736

Dynamic 741 FU

Application

Gate width (max.)	mm	8,000				18,000	
Gate weight (max.)	kg	400	800	400	800	1,100	1,300
Toothed rack module		4				6	
No active closing edge safety device necessary up to a max. gate weight of (for further information refer to declarations of conformity)	kg	to 400	to 800	to 400	to 800	–	

Electrical details

Push and pull force (max.)	N	400	800	400	800	–	
Torque (max.)	Nm	–				80	100
Door travel speed (max.)	mm/s	180		230		180 (50 Hz)	120 (50 Hz)
Opening time (gate-specific)	s	15 to 25					

Electrical details

Nominal voltage	V AC	230				3N~400 / 2301N~230	
Nominal frequency	Hz	50				50	
Power input in operation (approx.)	kW	0.4				1.9	3.3
Power input in stand-by (approx.)	W	3.2					
Operation mode (duty cycle)		S2 – 5 min.				S3 – 60%	
Motor voltage	V	24				3N~400 / 2301N~230	
Control voltage	V DC	24					
Power supply for external elements (max.)	DC/mA	24 / 50				24 / 500	
Protection category motor unit	IP	44				54	
Protection category control unit	IP	65					
Protection class		I					

General details

Weight motor unit	kg	12.5 to 20.5	14.5 to 22.5	9.5	10.0	27.0	
Range of temperature motor unit	°C	–20 to +60					

Information

Opener systems for sliding gates

	Comfort 860 / 861	Comfort 860 S / 861 S	Comfort 880 / 881	Dynamic 736	Dynamic 741 FU
Features					
Economy mode	•	•	•		
Frequency converter technology					•
Reference point technology	•	•	•		
Absolute value encoder technology				•	•
Soft start/soft stop/soft run	•	•	•		•
Electronic push-open security	•	•	•		
Anti-blocking device	•	•	•		
Excess travel stop	•	•	•	•	•
Lockable emergency release (accessible from outside)			•		
Integrated emergency release	•	•		•	•
Housing access via lockable front cover		•			
Housing access via lockable swing door	•				
Housing access via detachable cover			•	•	•
Opener housing usable as gate post	•				
Grooves for easy installation of rubber profiles or contact bars	•				
Pre-assembled lighting unit for retrofitting a signal light into the opener housing	•				
Battery backup in opener housing integrable	•				
Integrated evaluation 8,2 kΩ	•	•	•	•	•
Height adjustable piston rod (max. mm)	160	70			
Marantec EOS programming	•	•	•		
Programming and status indication via LC-display	•	•	•	•	•
Direction of rotation programmable	•	•	•	•	•
Automatic closing function (* only usable in combination with photocell)	• (*)	• (*)	• (*)	•	•
Door open duration and warning time programmable	•	•	•	•	•
Lighting duration programmable	•	•	•		
Lighting switchable via radio	•	•	•		
Automatic cut-out OPEN and CLOSE separately programmable	•	•	•		
Partial opening programmable	•	•	•	•	•
Gate travel speed OPEN and CLOSE separately programmable	•	•	•		•
Soft run position OPEN and CLOSE separately programmable	•	•	•		•
Soft run speed OPEN and CLOSE separately programmable	•	•	•		•
Relay output programmable: signal light, gate position OPEN or CLOSE, wiping impulse (1 s), malfunction, lighting	•	•	•		
Servicing counter and door cycle counter	•	•	•		
Servicing interval programmable	•	•	•		
Fault messages with memory	•	•	•	•	•
Simple reset function				•	•
Multistage reset function (control unit, safety, remote etc.)	•	•	•		
Connection for:					
Push button (conventional)	•	•	•	•	•
Push button (MS-Bus)	•	•	•		
Marantec photocell OPEN and CLOSE (conventional)	•	•	•	•	•
Other's photocell OPEN and CLOSE (conventional)	•	•	•	•	•
Hold circuit (conventional)	•	•	•	•	•
Closing edge safety device 8,2 kOhm OPEN and CLOSE (conventional)	•	•	•	•	•
Signal light 24 V DC (conventional)	•	•	•	•	
Battery backup	•	•	•		
Power supply for external elements 24 V DC (max. mA) (conventional)		50	50	500	500

1

Swing gate openers

2

Sliding gate openers

3

Radio accessories

4

General accessories